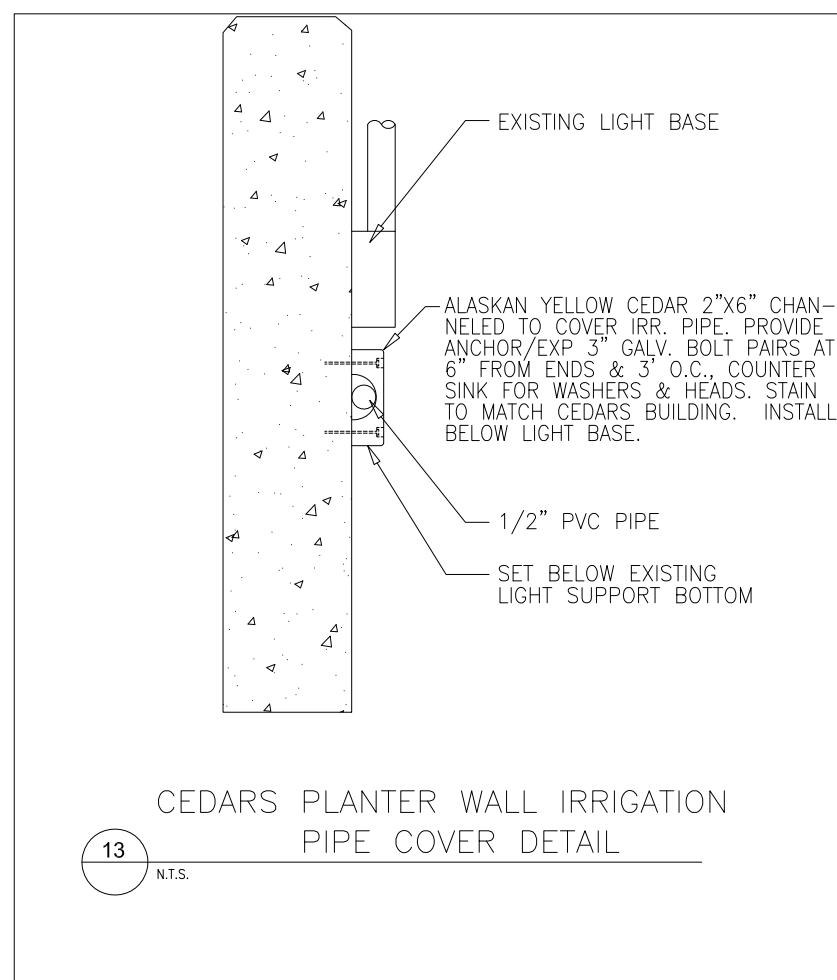
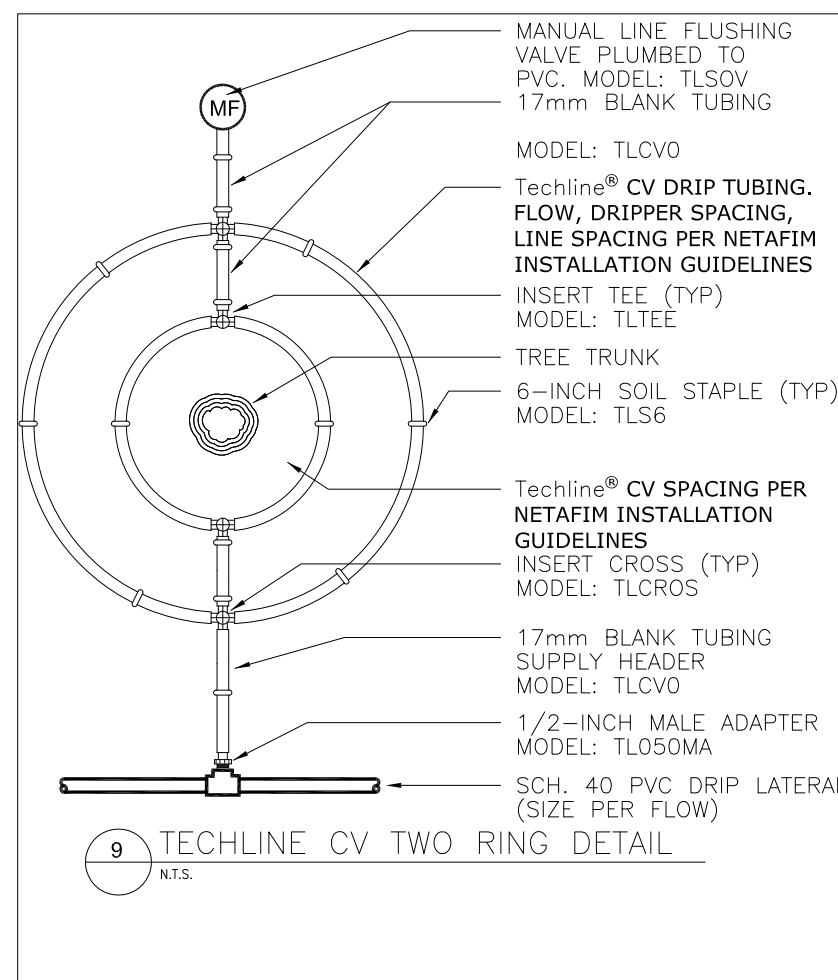
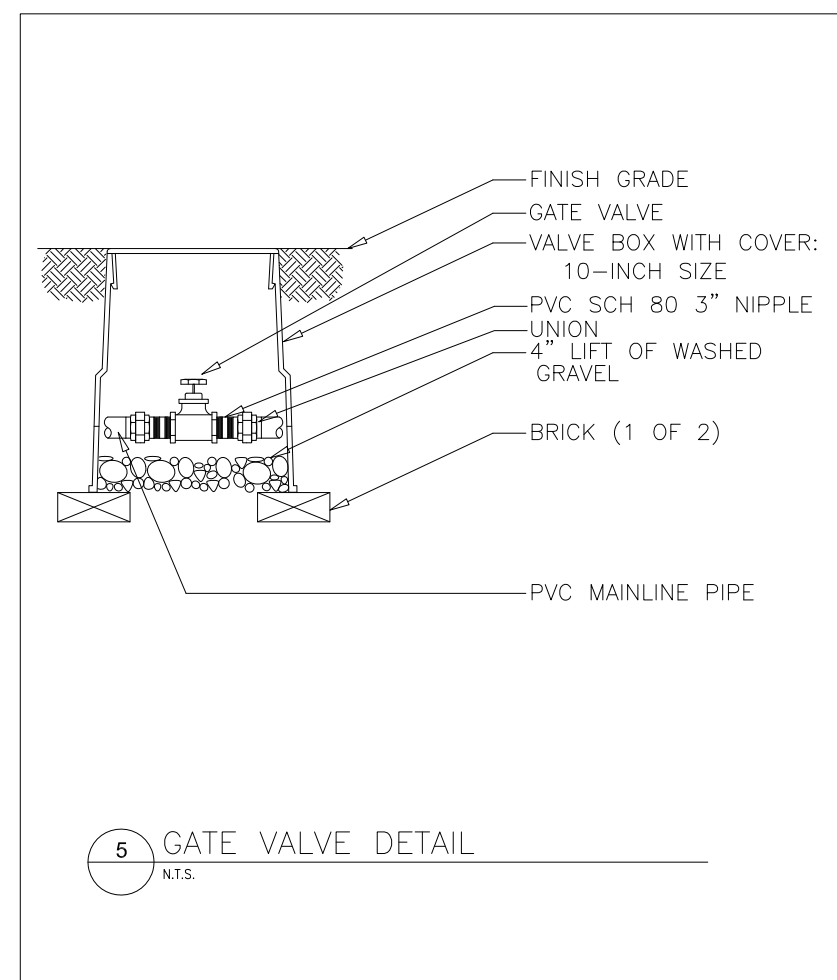
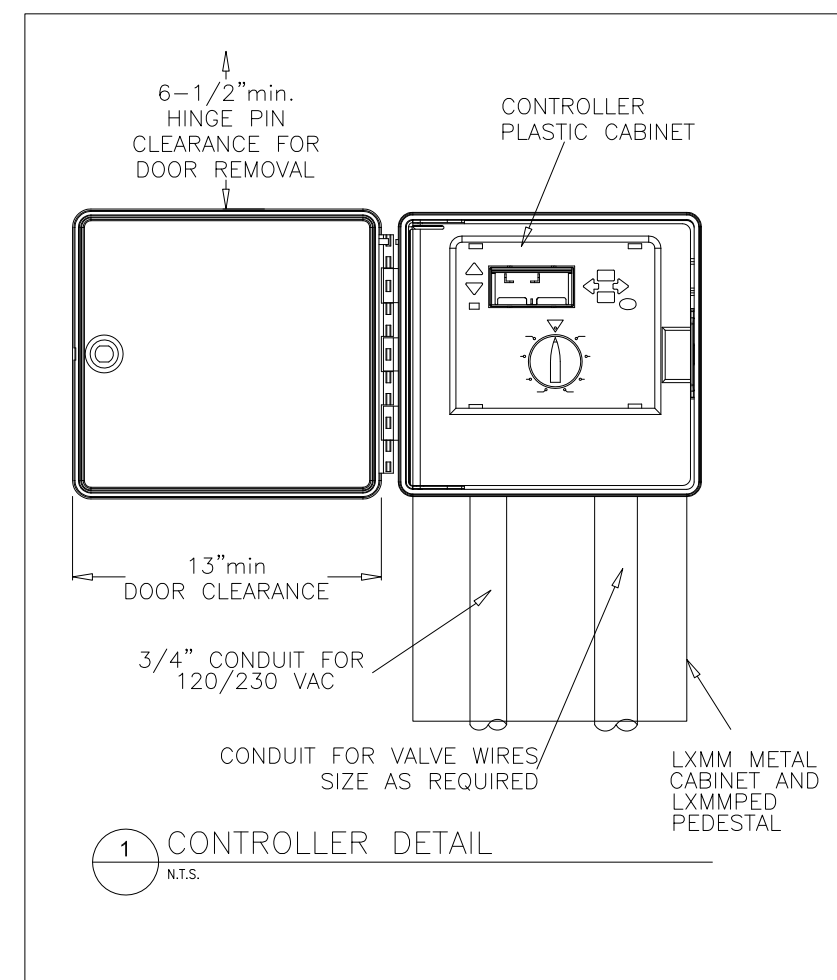
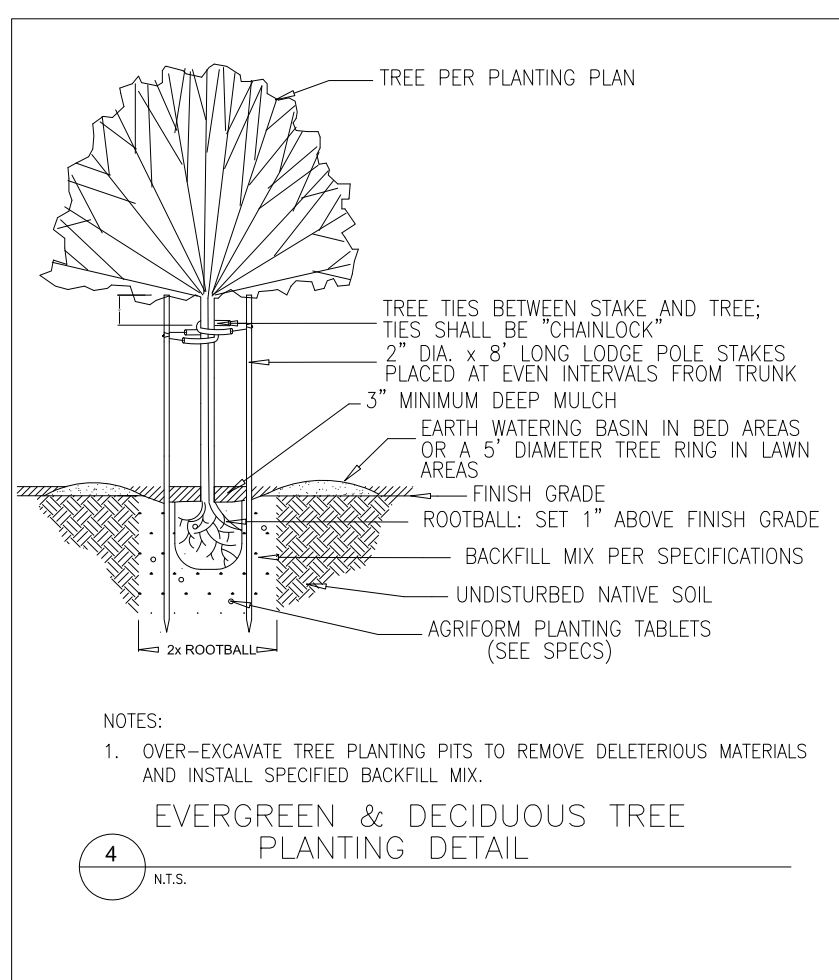
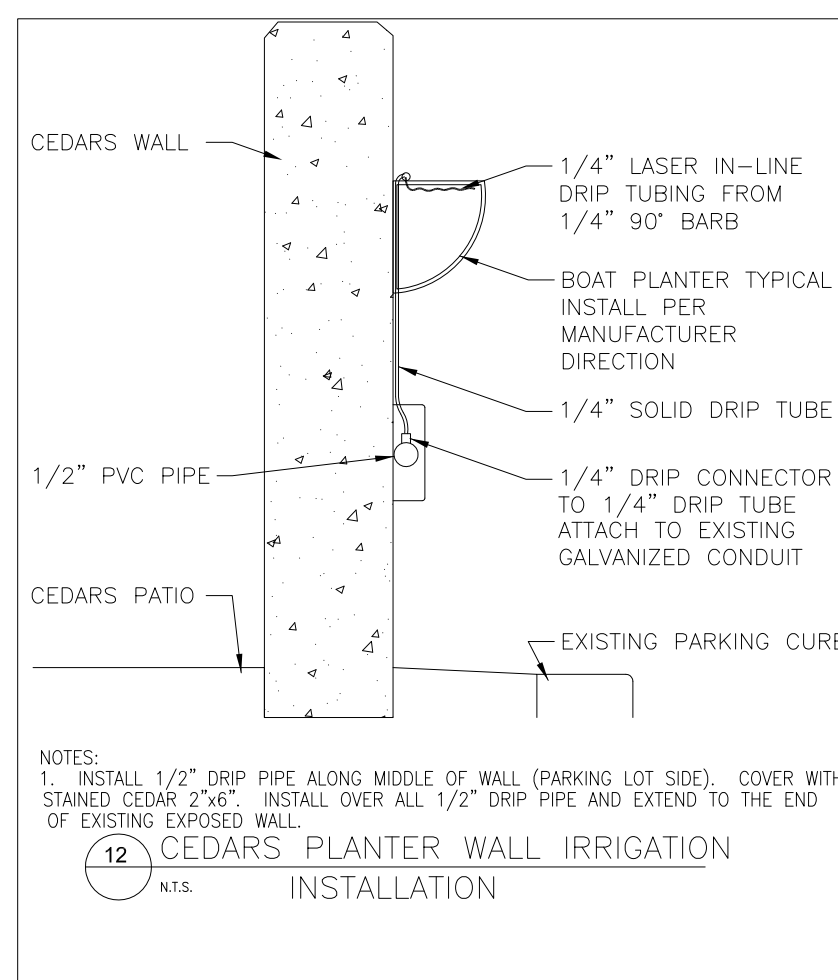
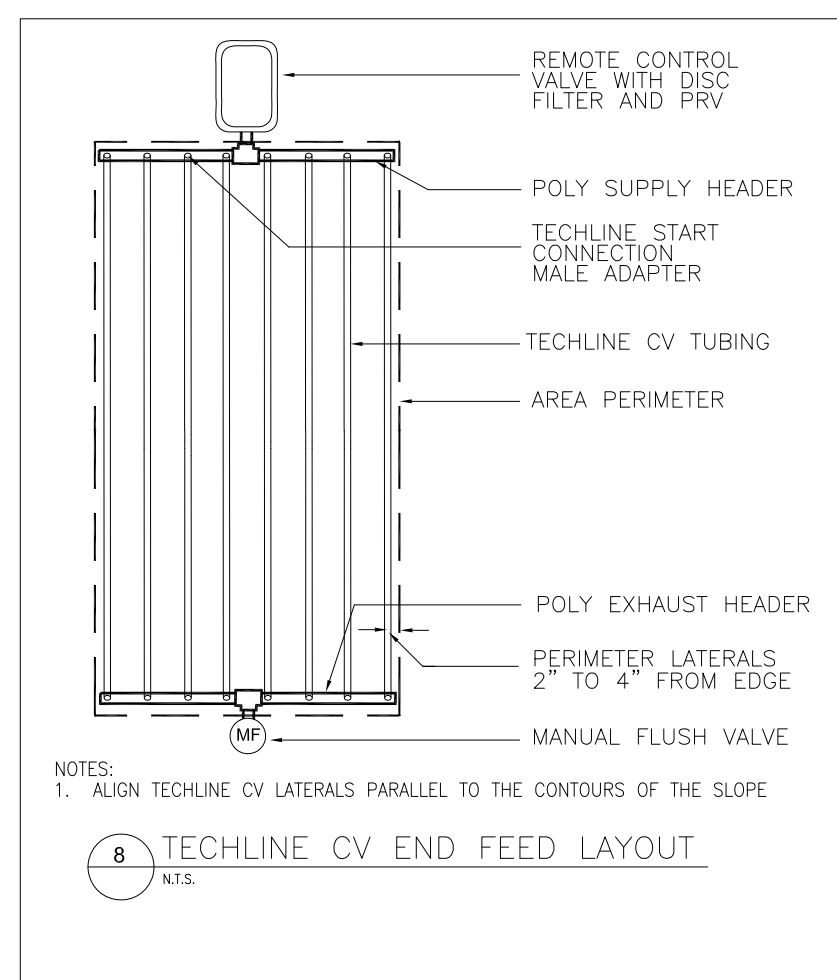
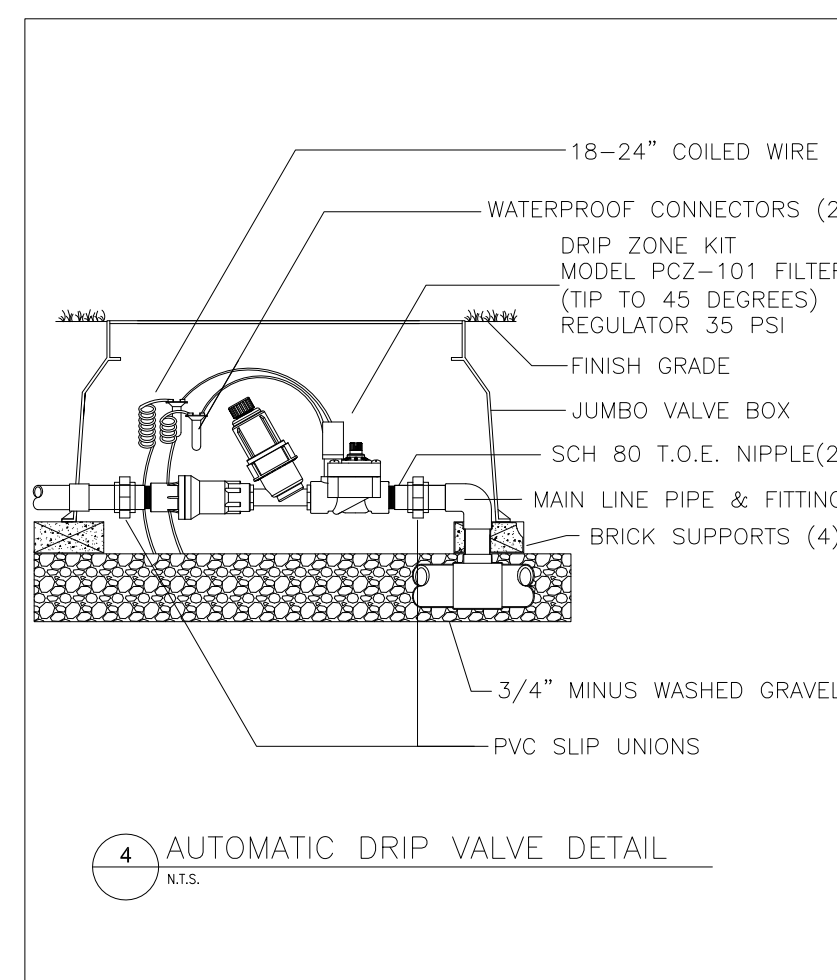
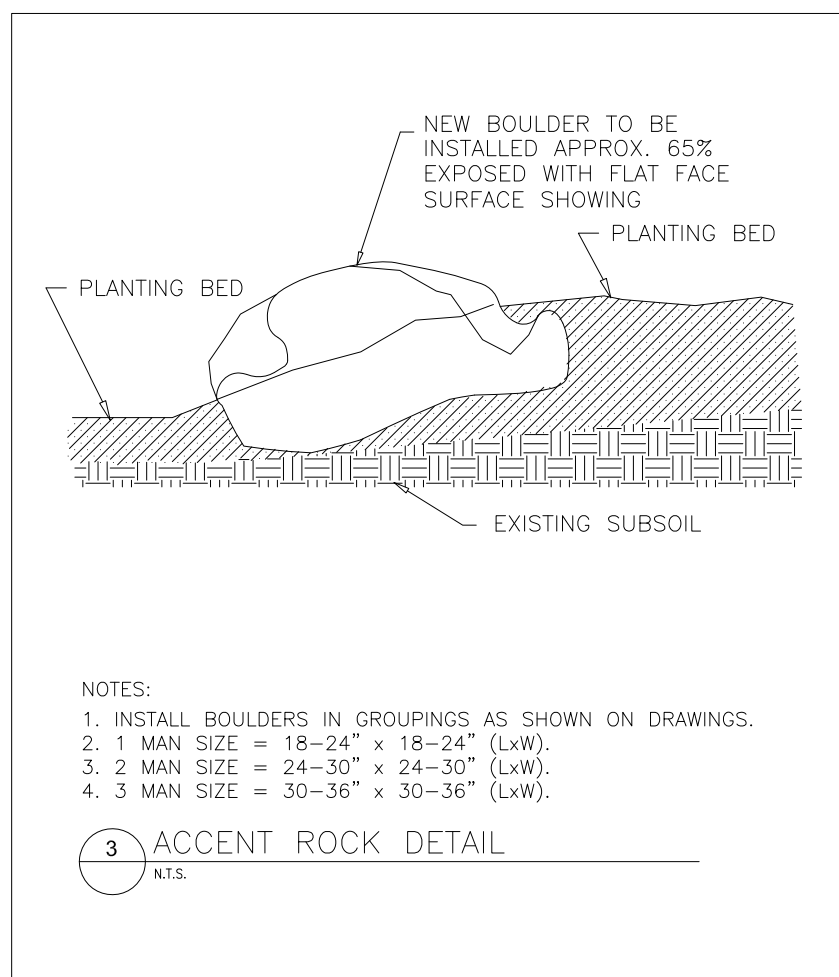
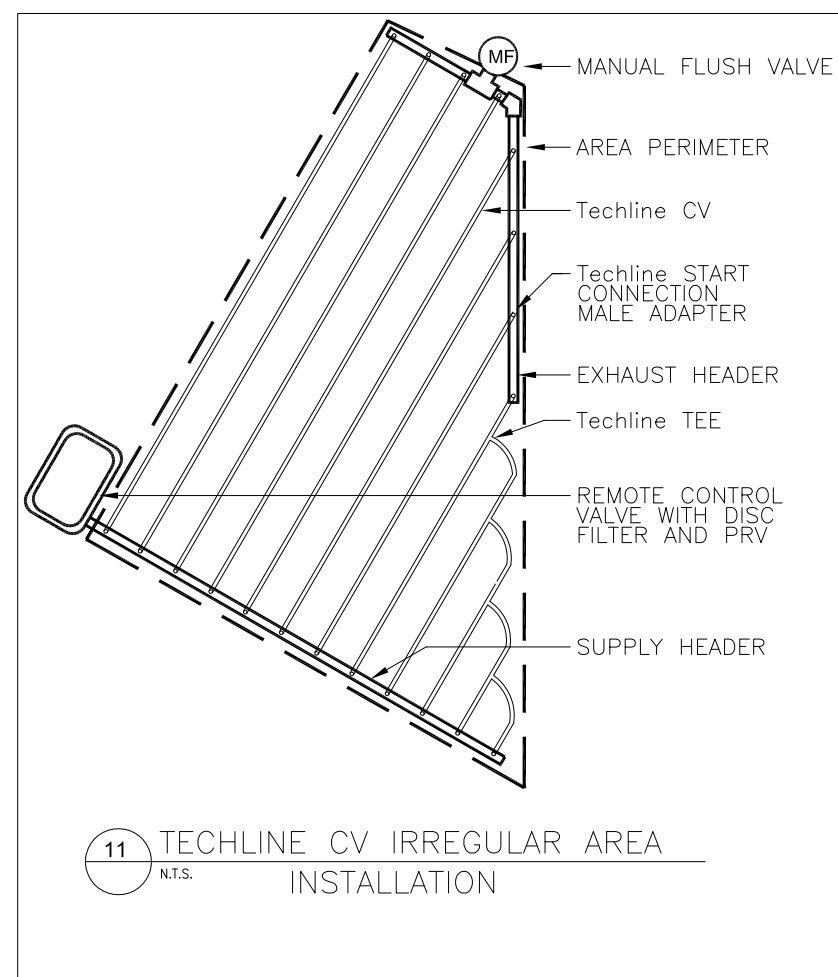
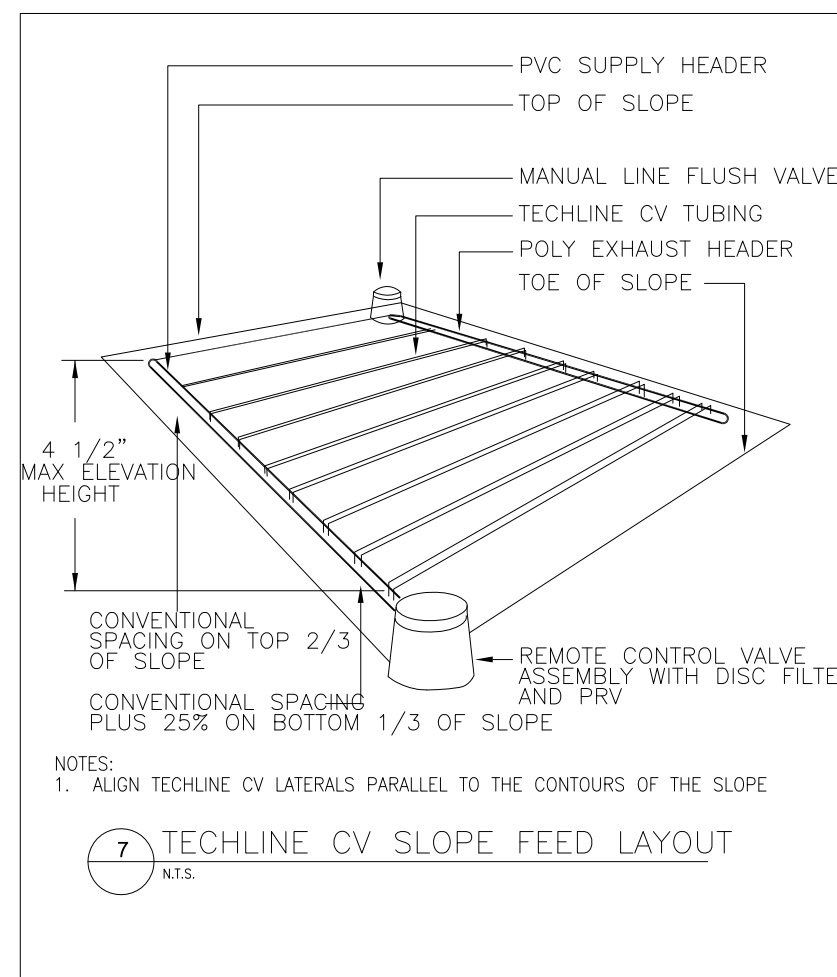
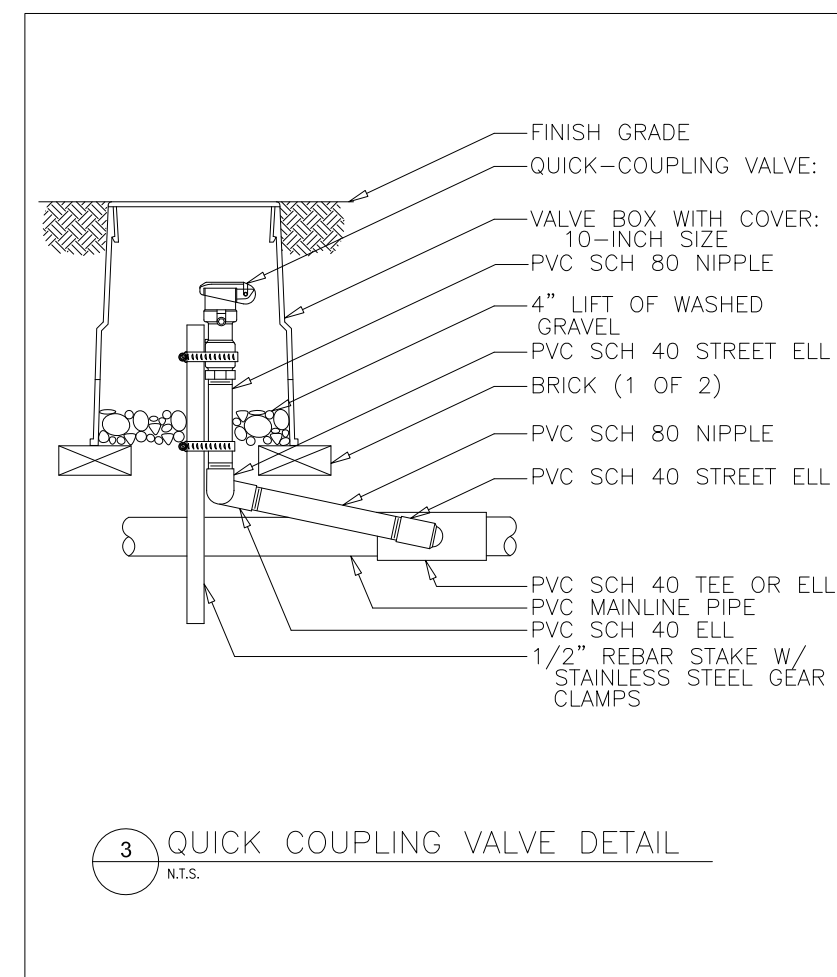
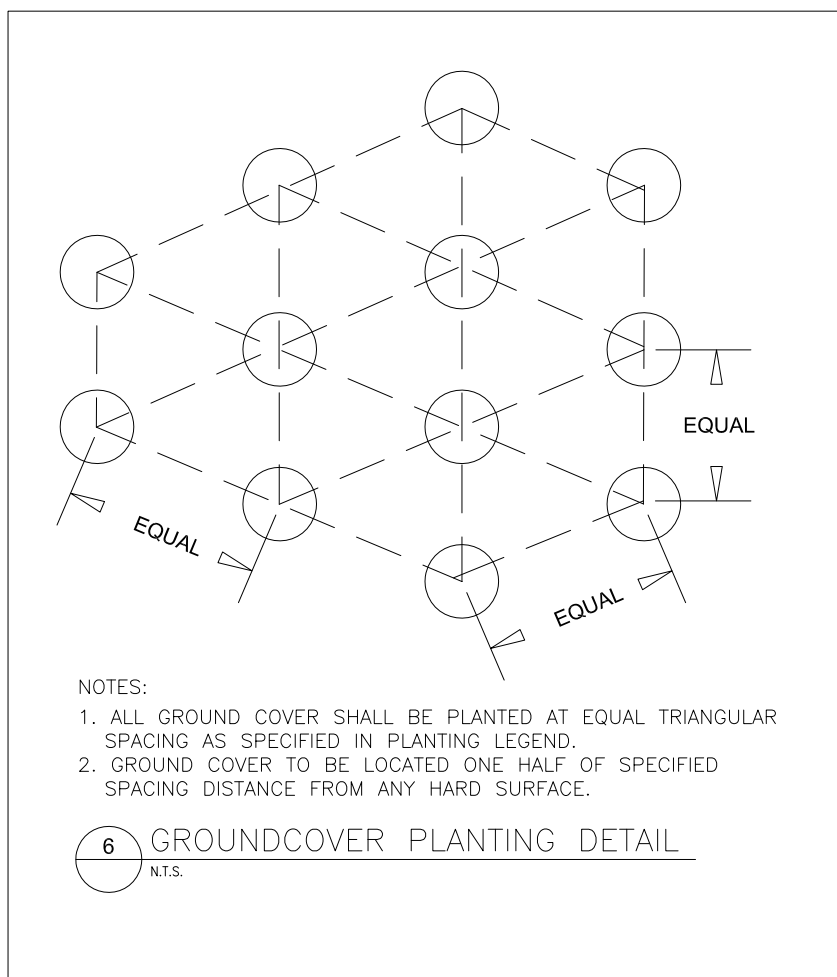
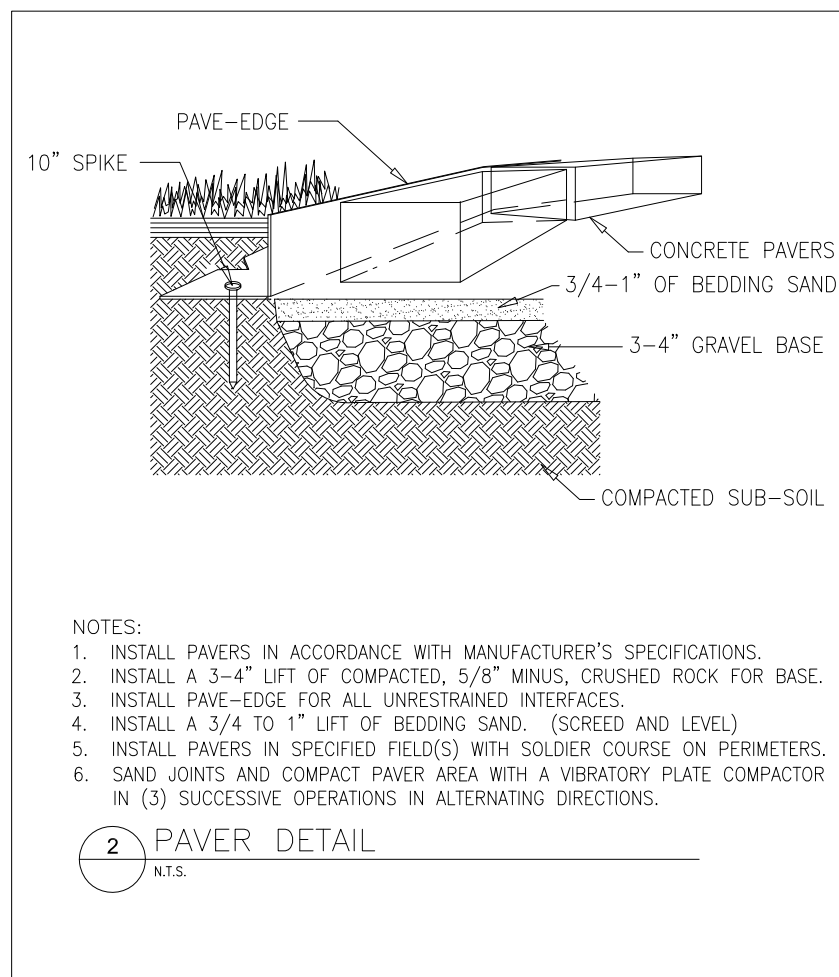
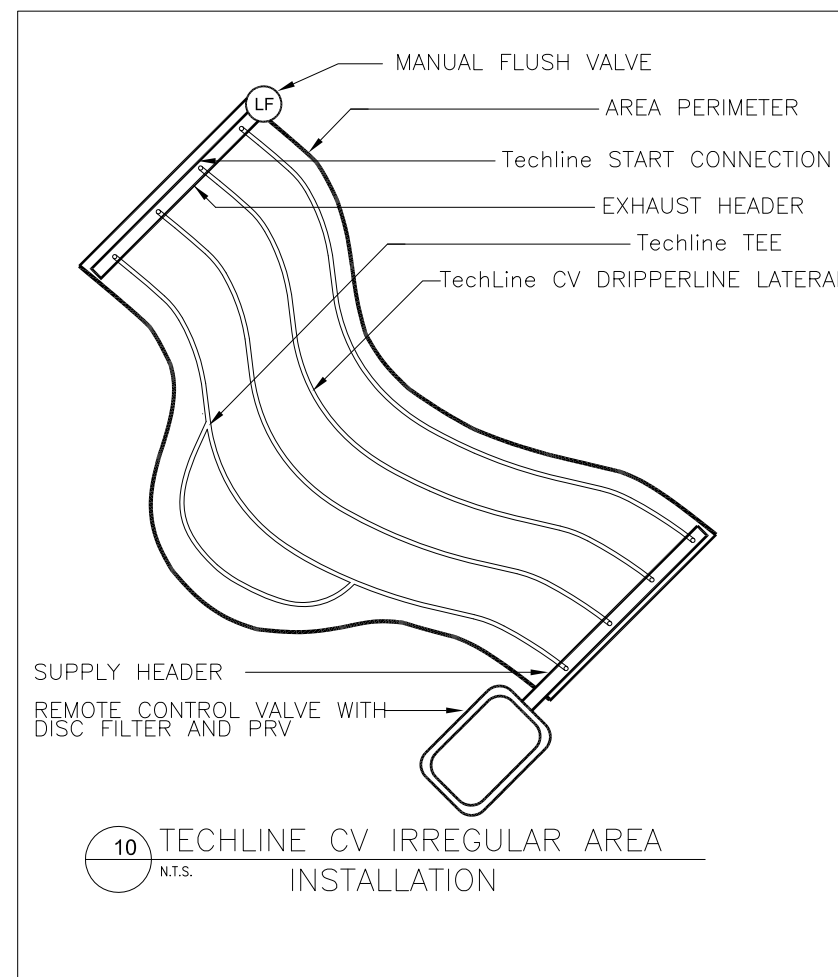
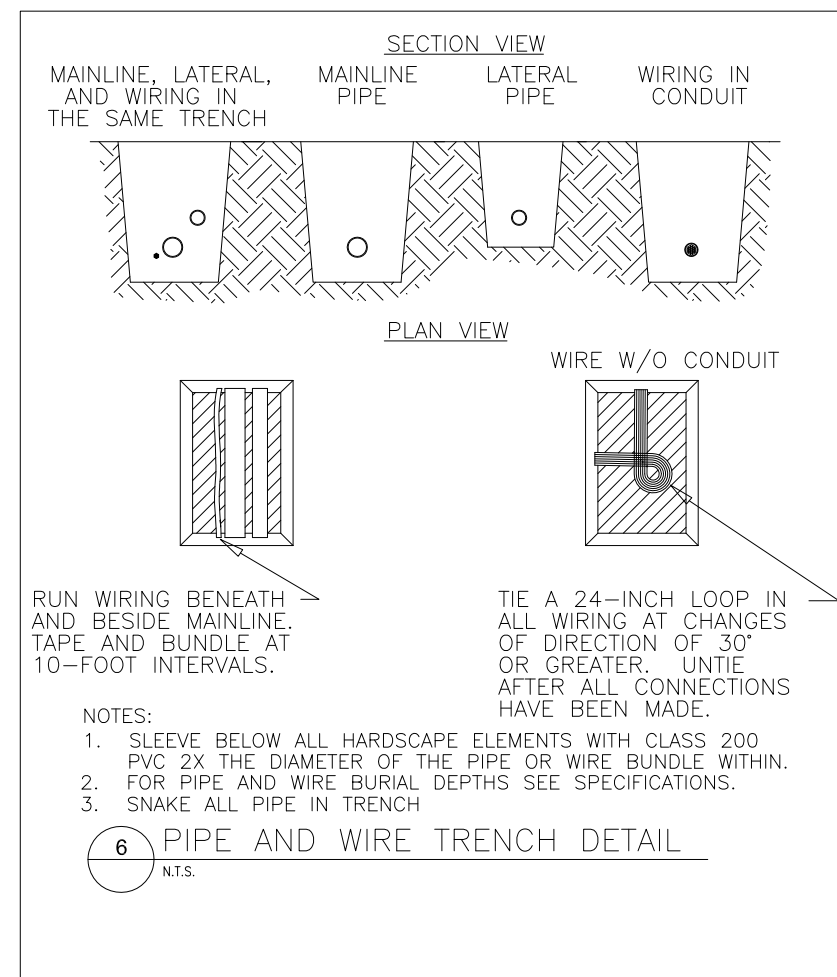
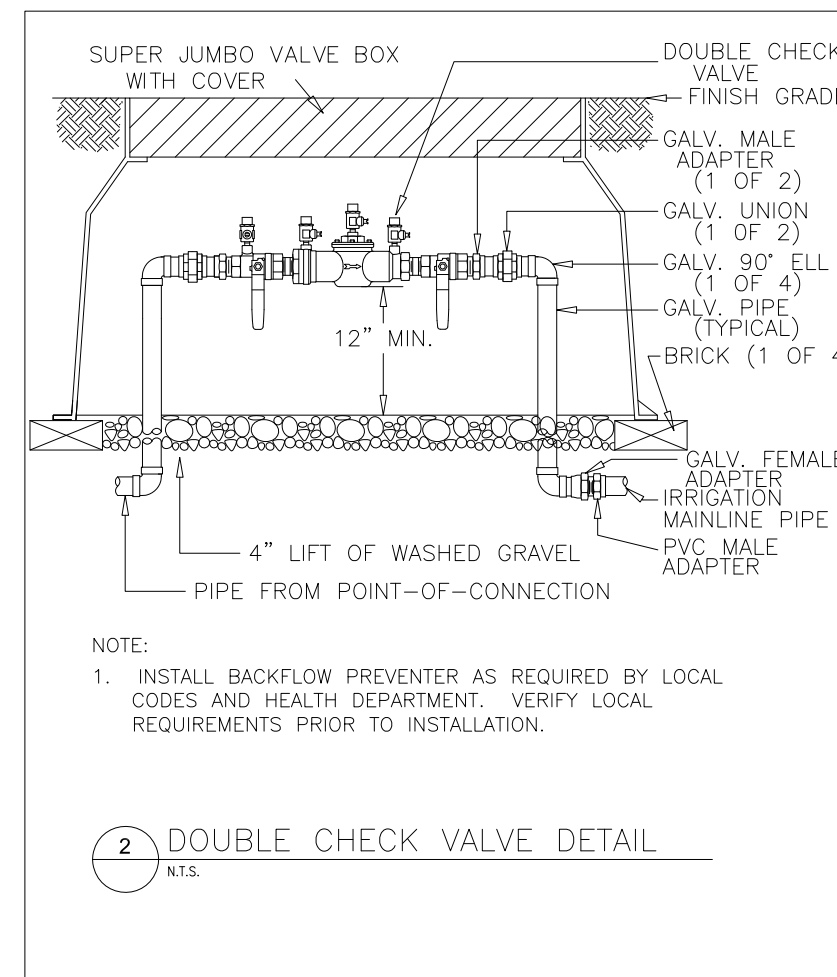
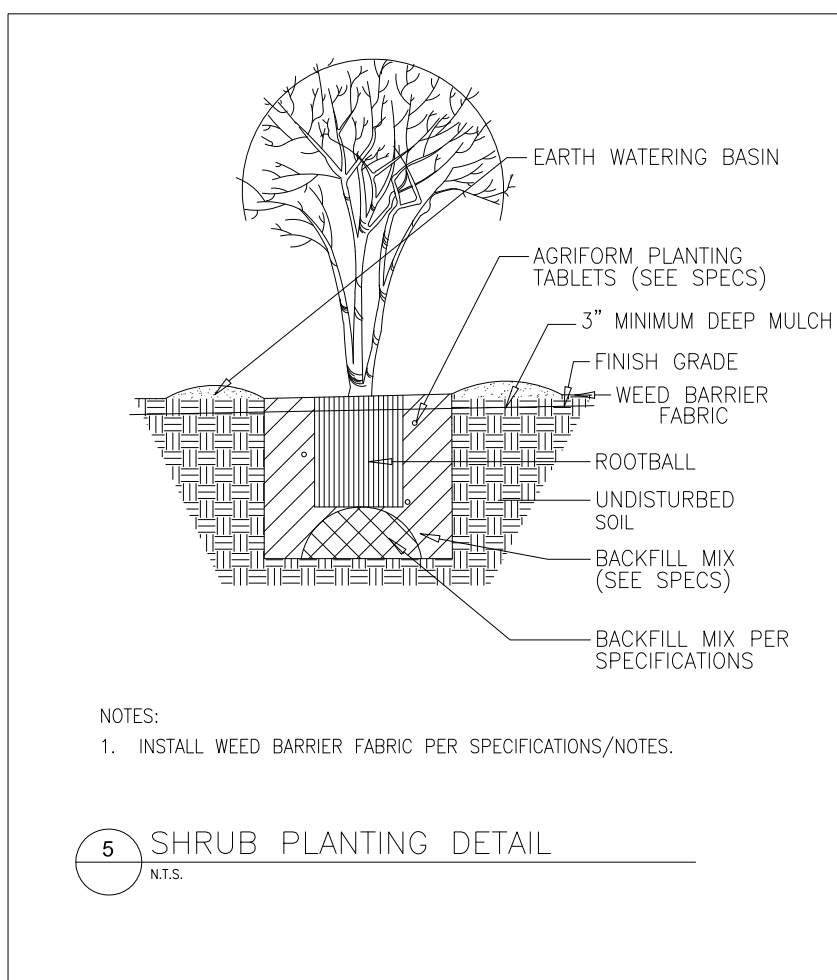
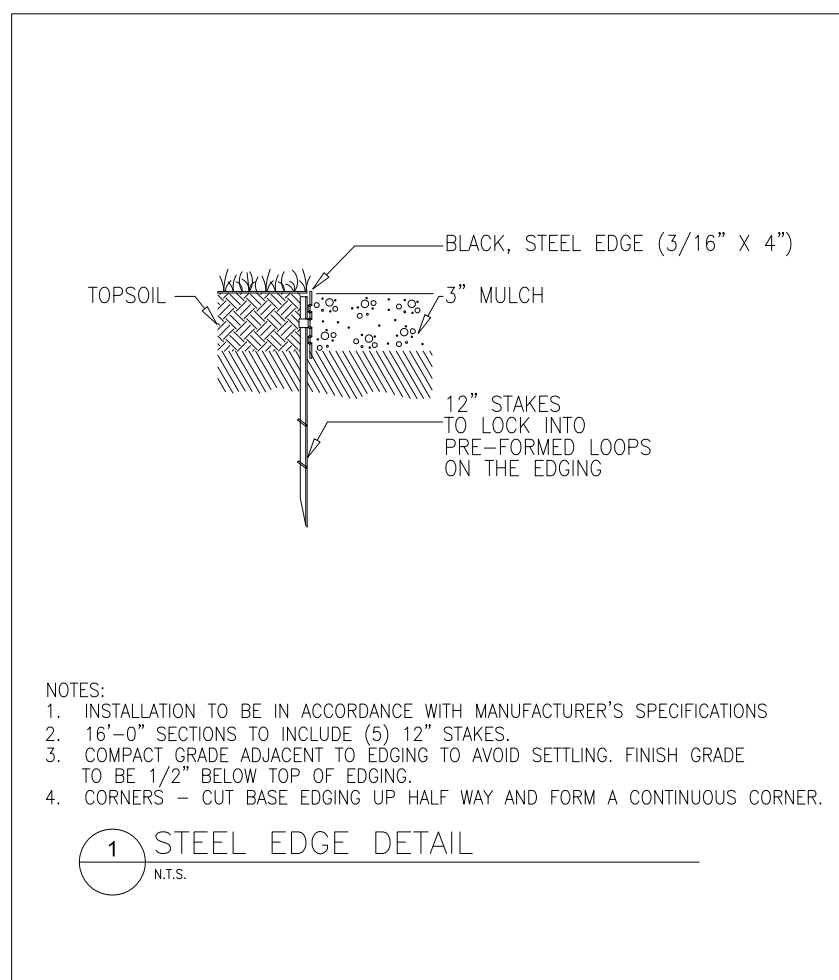


IRRIGATION DETAILS



LANDSCAPE DETAILS



THIS PLAN IS THE SOLE PROPERTY OF HERITAGE PROFESSIONAL LANDSCAPE, INC. (HPLC) ANY UNAUTHORIZED USE OR REPRODUCTION IS PROHIBITED. HPLC SHALL NOT BE RESPONSIBLE FOR ANY INSTALLATION AND/OR MAINTENANCE OF ANY PART OR WHOLE OF THESE PLANS BY ANY INDIVIDUAL OR COMPANY OTHER THAN HPLC.

**HERITAGE PROFESSIONAL LANDSCAPE, INC.**  
 2816 W. 27th Avenue  
 Kennewick, Wa. 99336  
 Phone (509) 586-0744 / Fax (509) 586-1754  
 www.heritageprolandscaping.com  
*Better by Design...*

CONSULTANT:

**PORT OF KENNEWICK-  
 CEDARS PARKING**  
 355 CLOVER ISLAND DRIVE - KENNEWICK, WA

DRAWN BY:	APPROVED BY:
SK:	MR:
SCALE:	DATE:
N.T.S.	9-29-10
JOB NUMBER:	PORT OF KENNEWICK - CEDARS
REVISIONS:	
1	10-27-10
2	12-21-10
3	1-3-11
4	1-20-11
5	6-28-11
6	7-7-11
7	7-11-11

**IRRIGATION & LANDSCAPE DETAILS**

SHEET #:

**D1**